

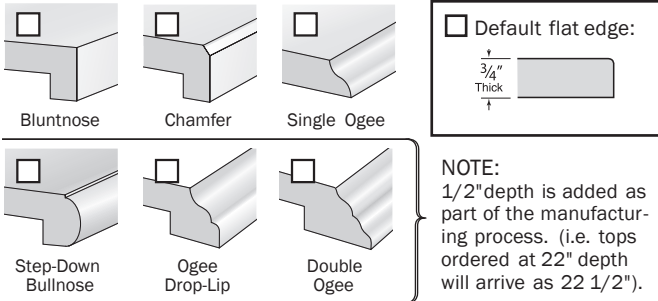
Engineered Marble/Granite/Onyx Custom Vanity Tops Order Form



1. Choose Size and Bowl

- 22" Depth: N - Oval RL - Royale T - Flush Oval NS - Shell O - Olympus D - Diamond V - Ventura W - Wave
- 19" Depth: SL - Oval LRL - Royale ST - Flush Oval LNS - Shell LO - Olympus LD - Diamond LV - Ventura LW - Wave
- 17" Depth: R - Rectangle Bar Sink YC - Flush Oval
- Porcelain Undermount: (Includes Overflow)
Bowl: White Bisque
 Large Oval (22" Depth) Small Oval (19" Depth) Rectangle (22" Depth)

2. Choose Edge Style



3. Choose Finished Edges Front Left Right

4. Choose Custom Options

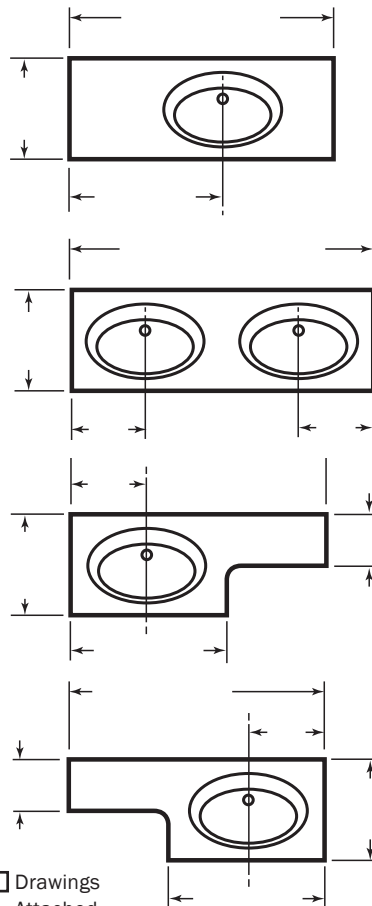
- Overflow No Backsplash
 Integral Backsplash, Non-Std. Depth: _____
 Loose Backsplash, Height: _____ Length: _____
 Thick Edge Undermount (req. min 1.5" design edge)
 Solid-Color Bowl, Color: _____
 Faucet Options: (4" Centerset Default)
 None Single 8" Centerset
 Other: _____
 Extra Hole (provide location dimensions)
 Side Splash: None Left Right
 Trim Tabs: Both Ends Left Right
 Other Options: _____

5. Finish & Color

- Finish: Gloss (default) Matte
 Color: Number: _____
 Name: _____

6. Dimensions

Indicate the applicable dimensions in the spaces below.



- Drawings Attached
 Other Custom Shape (see page 4): _____

7. Price Your Top

- Top Base Price..... \$ _____
 Side Splash (Each)..... \$ _____
 No Bowl/No Drill Vanity Top..... \$ (_____)
 Subtotal:..... \$ _____
 Matte Finish (Add % to Subtotal)..... \$ _____
 Extra Bowl(s) (Each)..... \$ _____
 Bowl Cutout (QTY:____)..... \$ _____
(For Customer-Supplied Vessel, Undermount, or Drop-In Bowls)
 Porcelain Undermount Bowl (QTY:____)..... \$ _____
(US Marble-Supplied Undermount Bowls)
 Thick Edge Undermount (QTY:____)..... \$ _____
 Designer Edge..... \$ _____
 Cutback/Custom Shape..... \$ _____
 Backsplash Option..... \$ _____
 Solid Color Bowl (QTY____)..... \$ _____
 Overflow (QTY____)..... \$ _____
 Extra Faucet Hole (QTY____)..... \$ _____
 Trim Tabs (Each)..... \$ _____
 Color-Coordinated Caulk (QTY____)..... \$ _____
 Freight (if applicable)..... \$ _____
 TOTAL Price..... \$ _____

- Purchase Order # _____ Quote Only? Yes No
 Dealer Name _____
 Store Number _____
 City & State _____
 Order Placed by _____
 Customer Name _____

Like natural marble, onyx, etc., there are variations in shade and veining. As with all manufacturers, there may be some variation from the sample you see to the final product. Samples may be too small to represent the full veining pattern. Each item is a unique product which is individually yours.