

# Shower Door Specifications

## How to measure for your U.S. Marble Shower Doors:

These measurements will help you specify which door style will work for your tub/shower configuration. Regardless of the door style you choose, these measurements will be applicable.

Measure the width at the top, middle and bottom of the opening, as the walls may be out of square. Then measure the height from the top surface of the bathtub or the threshold of the shower to the top of your panels. Select a door with a height shorter than your measurement.

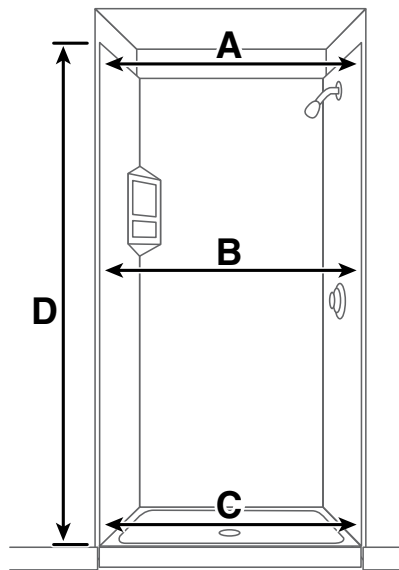
Once you have determined the style and size for your shower doors, use the U.S. Marble Shower Door Order Form to specify the door style, glass style, frame color and additional relevant dimensions in the appropriate spaces on the form.

Select the door from the Model Number List with the dimension range and features that fits your requirements.

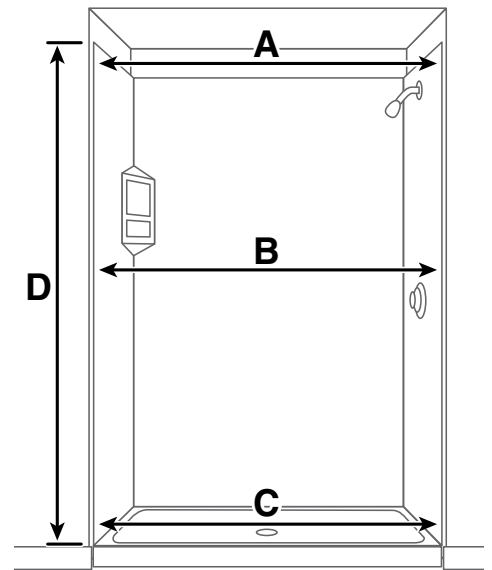
Frames are available in these colors:

- Chrome
- Brushed Nickel
- Oil-rubbed Bronze

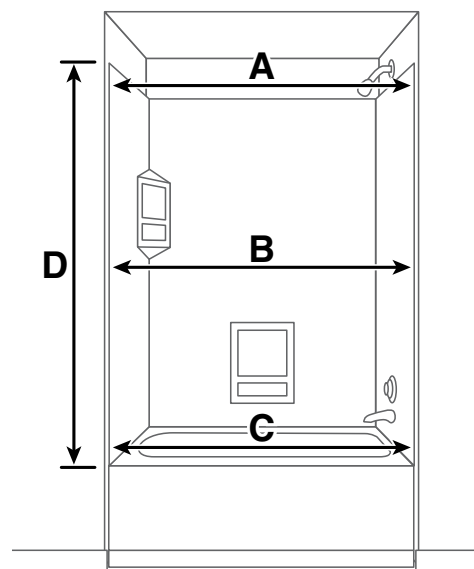
\* Contact US Marble for quotes and lead times for custom/non-stock doors and enclosures.



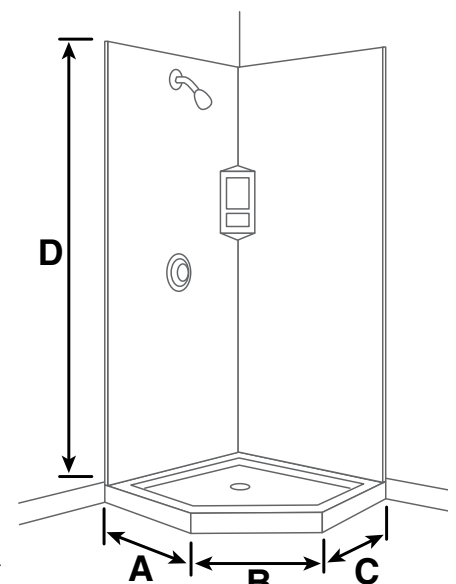
For shower stalls



For shower enclosures



For tub enclosures



For NeoAngle showers