

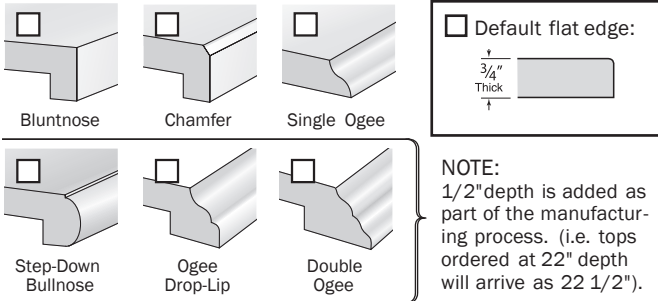
# Engineered Marble/Granite/Onyx Custom Vanity Tops Order Form



## 1. Choose Size and Bowl

- 22" Depth:  N - Oval  RL - Royale  T - Flush Oval  NS - Shell  O - Olympus  D - Diamond  V - Ventura  W - Wave
- 19" Depth:  SL - Oval  LRL - Royale  ST - Flush Oval  LNS - Shell  LO - Olympus  LD - Diamond  LV - Ventura  LW - Wave
- 17" Depth:  R - Rectangle  AR - Bar Sink  C - Flush Oval
- Porcelain Undermount: (Includes Overflow)  
Bowl:  White  Bisque  
 Large Oval (22" Depth)  Small Oval (19" Depth)  Rectangle (22" Depth)

## 2. Choose Edge Style



## 3. Choose Finished Edges Front Left Right

## 4. Choose Custom Options

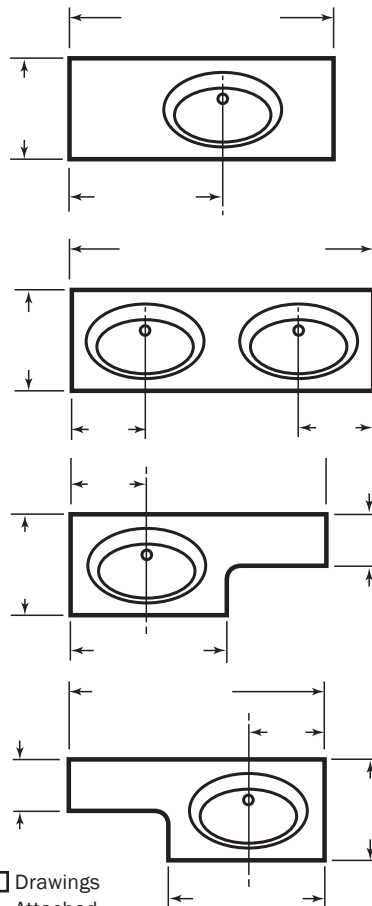
- Overflow  No Backsplash  
 Integral Backsplash, Non-Std. Depth: \_\_\_\_\_  
 Loose Backsplash, Height: \_\_\_\_\_ Length: \_\_\_\_\_  
 Thick Edge Undermount (req. min 1.5" design edge)  
 Solid-Color Bowl, Color: \_\_\_\_\_  
 Faucet Options: (4" Centerset Default)  
 None  Single  8" Centerset  
 Other: \_\_\_\_\_  
 Extra Hole (provide location dimensions)  
 Side Splash:  None  Left  Right  
 Trim Tabs:  Both Ends  Left  Right  
 Other Options: \_\_\_\_\_

## 5. Finish & Color

- Finish:  Gloss (default)  Matte  
 Color: Number: \_\_\_\_\_  
 Name: \_\_\_\_\_

## 6. Dimensions

Indicate the applicable dimensions in the spaces below.



- Drawings Attached  
 Other Custom Shape (see page 4): \_\_\_\_\_

## 7. Price Your Top

- Top Base Price..... \$ \_\_\_\_\_  
 Side Splash (Each)..... \$ \_\_\_\_\_  
 No Bowl/No Drill Vanity Top..... \$ ( \_\_\_\_\_ )  
 Subtotal:..... \$ \_\_\_\_\_  
 Matte Finish (Add % to Subtotal)..... \$ \_\_\_\_\_  
 Extra Bowl(s) (Each)..... \$ \_\_\_\_\_  
 Bowl Cutout (QTY:\_\_\_\_)..... \$ \_\_\_\_\_  
(For Customer-Supplied Vessel, Undermount, or Drop-In Bowls)  
 Porcelain Undermount Bowl (QTY:\_\_\_\_)..... \$ \_\_\_\_\_  
(US Marble-Supplied Undermount Bowls)  
 Thick Edge Undermount (QTY:\_\_\_\_)..... \$ \_\_\_\_\_  
 Designer Edge..... \$ \_\_\_\_\_  
 Cutback/Custom Shape..... \$ \_\_\_\_\_  
 Backsplash Option..... \$ \_\_\_\_\_  
 Solid Color Bowl (QTY\_\_\_\_)..... \$ \_\_\_\_\_  
 Overflow (QTY\_\_\_\_)..... \$ \_\_\_\_\_  
 Extra Faucet Hole (QTY\_\_\_\_)..... \$ \_\_\_\_\_  
 Trim Tabs (Each)..... \$ \_\_\_\_\_  
 Color-Coordinated Caulk (QTY\_\_\_\_)..... \$ \_\_\_\_\_  
 Freight (if applicable)..... \$ \_\_\_\_\_  
 TOTAL Price..... \$ \_\_\_\_\_

- Purchase Order # \_\_\_\_\_ Quote Only?  Yes  No  
 Dealer Name \_\_\_\_\_  
 Store Number \_\_\_\_\_  
 City & State \_\_\_\_\_  
 Order Placed by \_\_\_\_\_  
 Customer Name \_\_\_\_\_

Like natural marble, onyx, etc., there are variations in shade and veining. As with all manufacturers, there may be some variation from the sample you see to the final product. Samples may be too small to represent the full veining pattern. Each item is a unique product which is individually yours.