

How to Install

A Cast Polymer Shower Base

What is Cast Polymer? Cast polymer is the umbrella term which includes cultured marble, cultured granite, and cultured onyx and solid surface variety products. Cast polymer products are made by chemically bonding mineral fillers with resins to create a matrix, which is molded and hardened to a solid material in a variety of shapes that meet diverse design needs. It is more durable than porcelain, resists mildew and stains and is easily cleaned with nonabrasive cleaning agents.

To insure proper installation, a reasonably level floor is required. Check floor for uniformity before beginning installation. Any unusual problems with uniformity (not level) should be noted prior to beginning installation.

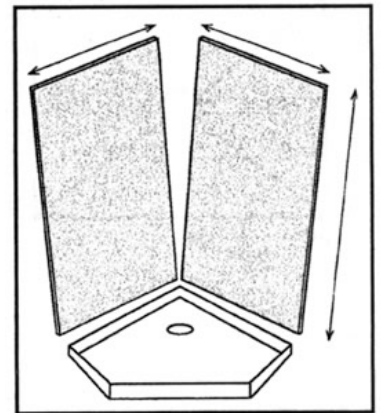
A. Neo-Angle Shower Base

Neo-angle shower bases are the simplest to install, because there are only two sides against the wall.

1. The shower base is meant to be installed with the water dam in contact with the studs or framing. Therefore, install pre-drywall or cut drywall to accept shower base.

NOTE: Onyx shower bases may need to have rubfloor and/or mortar lightened in color due to the translucence of onyx.

2. Measure off from the wall where the drain should be. Cut a hole in the floor to accept the drain.
3. Lay shower base in place and check level at top of shower base. Place shims to achieve level. Nail shims to floor, remove base, and mix mortar and sand. Put enough mix on the floor to level the base. Wriggle the shower base around until it's down to the shims. Base should be supported evenly and not wriggle when you step in it.
4. When the mortar is dry, remove the shims.



Neoangle Shower Base -
Diagram A

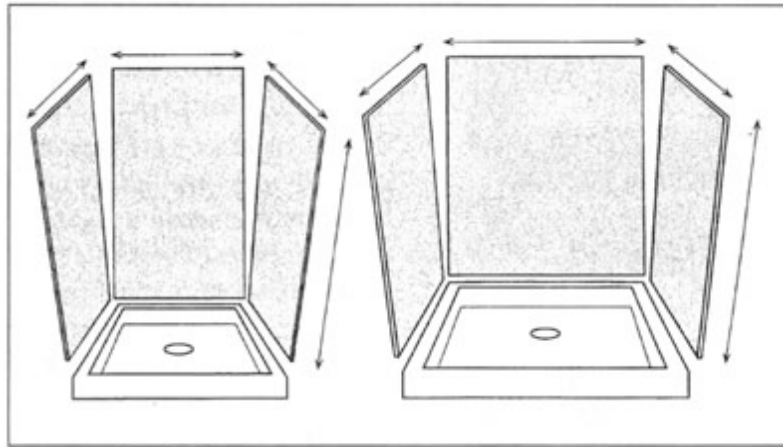
B. Rectangular Shower Bases Should be Installed Pre-Drywall

1. Installation of a rectangular shower base is basically the same as a Neo shower base, but there are three walls around it. Check the measurement

of the opening, cut hole in the floor for drain. It is easiest to install in new construction, because you can usually get to most sides through the walls. In remodeling, you may have to make a level line on the walls and see how far out of level the base is going to be before sliding it into place.

2. Shim to level, remove base, mix and put mortar on floor. Replace the base and wriggle down until it is level against the shims. Remove the shims from the front when mortar is dry.

Custom shower pans may be virtually any shape and size with drain located per customer order.



Rectangle Shower Bases - Diagram B

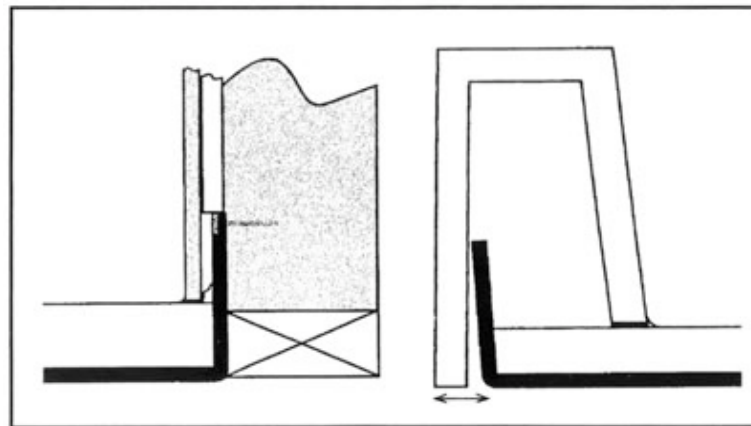
C. Custom Showers

A custom shower pan should set flat on the floor surface to insure adequate structural integrity. Shimming and wedging should be avoided because this could cause cracking later under stress. Any major problem with uniformity (not level), should be corrected in the floor surface prior to beginning installation.

The custom shower pan should be installed pre-drywall.

1. Check applicable plumbing codes for requirements such as a water dam or pan liner. If pan liner is required, proceed as follows:
2. Check rough wall dimensions and cut shower base if needed.
3. To insure pan does not cut into pan liner, sand all rough edges and sharp corners.
4. Clean floor very carefully to insure nothing will puncture shower pan liner (i.e., hammer down nails).

5. Cut drain location hole in floor as needed (at least 5" in diameter), remove excess sawdust.
6. Lay pan liner on shower floor area evenly. Allow side excess to be equal on all four sides. Be sure you will have at least 1-2 inches extended above the pan after it is installed.
7. Apply several spots of silicone caulk to floor under the liner to keep it in place and from sliding or shifting later.
8. Fold two back corners square and nail to framing to hold in place. Nail as close to top as possible. (See wall view - Diagram C).

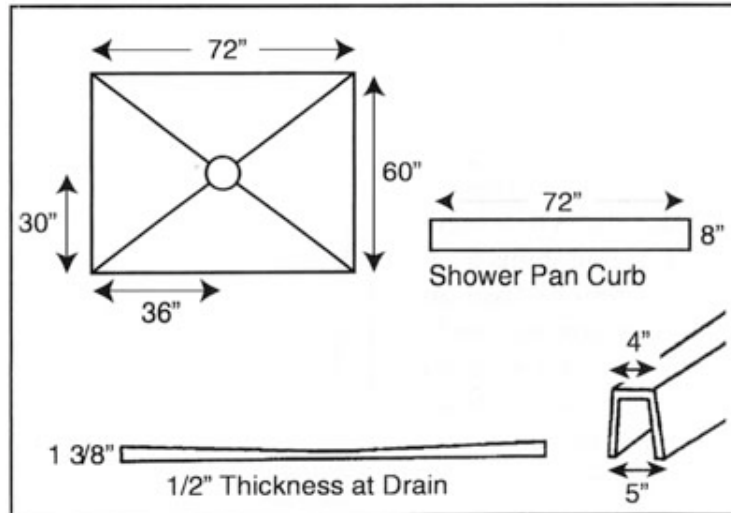


Wall View - Diagram C

9. Apply several spots of silicone caulk to inside of liner floor before setting pan in place.
 10. Set pan into liner.
- NOTE: Be sure pan bottom is clean and free of dust.*
11. Fold two front corners of liner square and nail to framing same as Step 7.
 12. Set temporary 2 x 4 on edge in front of pan liner to protect from damage until curb can be installed later.
 13. Carefully cut drain hole with a knife using the pan drain hole as a guide. The pan liner will now become a gasket for the drain assembly insuring water tight integrity. Drywall can now be installed as shown in Diagram C.
 14. Install marble panels. Caulk accordingly.

15. Measure and fit curb between wall panels. Set front edge and inside edge into bead of caulk to secure.

NOTE: To insure a watertight fit, follow these instructions carefully using quality installation methods.



Universal Shower Pan - Diagram D

