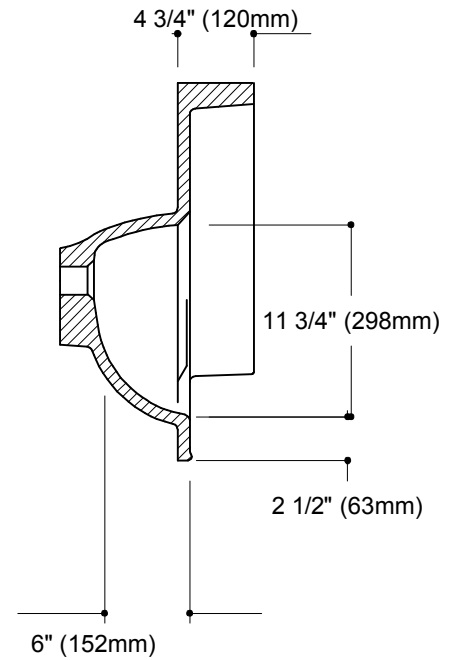
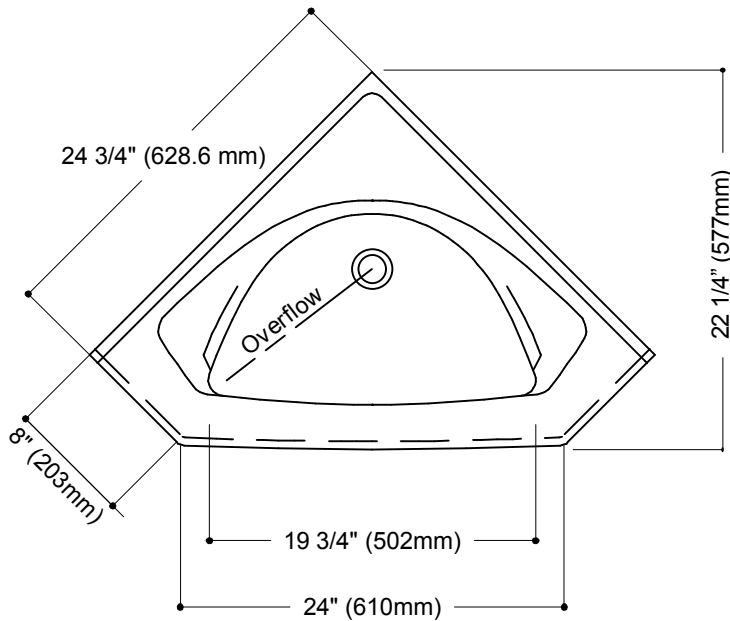
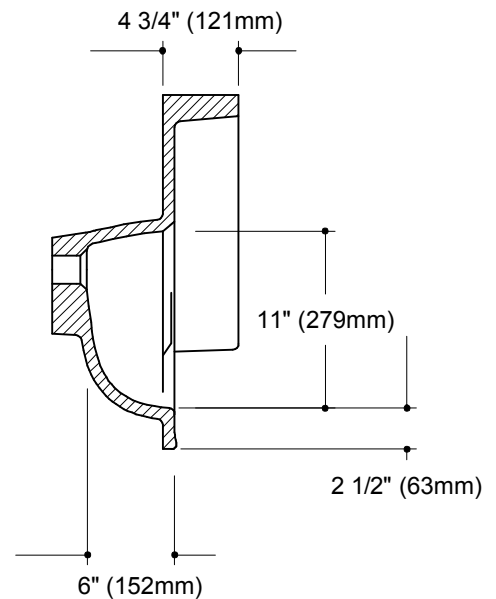
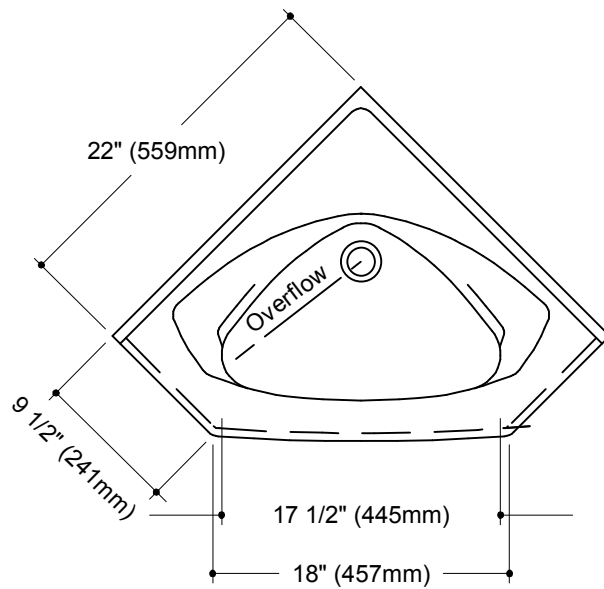


GRUBER SYSTEMS RESERVES THE RIGHT TO CHANGE THIS INFORMATION AT ANY TIME WITHOUT PRIOR NOTICE. ISSUED BY GRUBER SYSTEMS INC., 25636 AVENUE STANFORD, VALENCIA, CA 91355, USA. COPYRIGHT 2000



MOLD PART	CATALOG No.	DESCRIPTION
MALE	<b>62163</b>	<b>25in. CORNER VANITY</b>
FEMALE	<b>821638</b>	<b>25in. FFO CORNER VANITY</b>
NAME	<b>25in. CORNER VANITY</b>	
CAST WEIGHT		DATE <b>2 April 08</b> Rev <b>1</b>



MOLD PART	CATALOG No.	DESCRIPTION
MALE	<b>64249</b>	<b>22in. CORNER VANITY</b>
FEMALE	<b>842499</b>	<b>22in. CORNER VANITY</b>
NAME	<b>22in. CORNER VANITY</b>	
CAST WEIGHT	SCALE <b>1' = 1' 0"</b>	DATE <b>9-18-00</b> PAGE No. <b>BW-3</b>